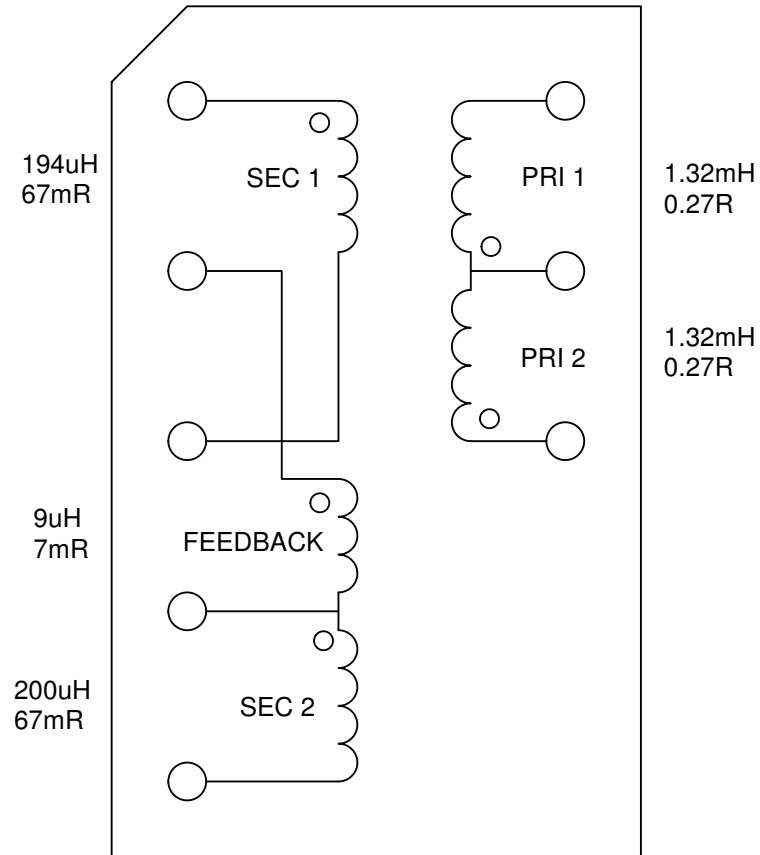


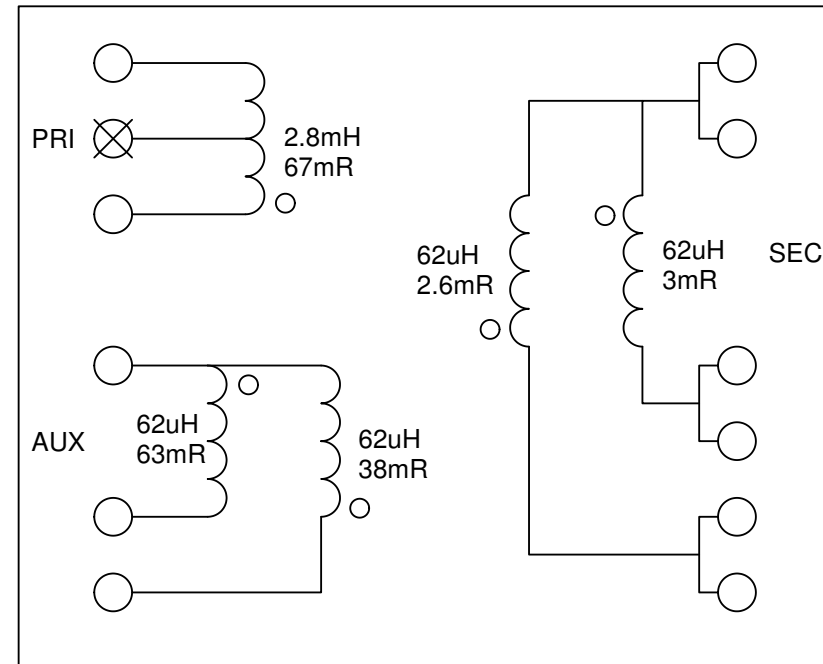
Viewed from top

Gate drive



Voltage ratios:
 4:1 from either primary to either secondary
 16.5:1 from primary to feedback
 1:4.6 from feedback to secondary

Main



Voltage ratios:
 7.2:1 from primary to either secondary
 7.2:1 from primary to auxiliary

About 5uH primary leakage