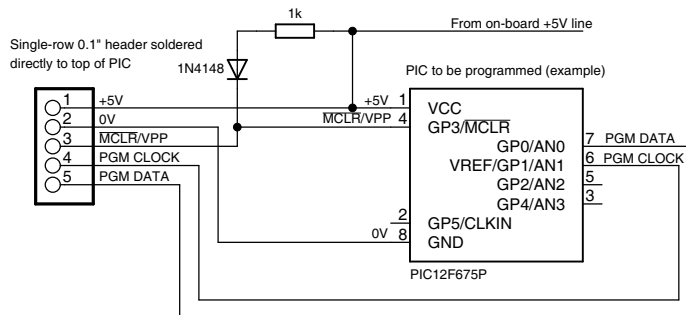
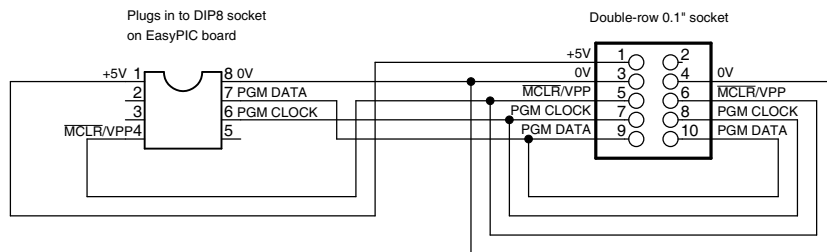


ICSP adapter for the EasyPIC board

27/10/11



If the left-hand side of the double-row socket is used, the external circuit is powered by the +5V line from the EasyPIC board. In this case, make sure the power draw is within the capability of the EasyPIC board. If the right-hand side of the double-row socket is used, the external circuit must be powered by its own supply, since there is now no connection to the +5V line from the EasyPIC board.

The diode is essential as it blocks the programming voltage from appearing on the external +5V line and causing damage. Here, the MCLR pin of the PIC is shown with a 1k pullup, but this could be any desired reset circuit. Just remember the diode!

If you want to use the ICSP pins of the IC for I/O, then they must be able to be isolated from the rest of the circuit during programming, for example with PCB jumpers.